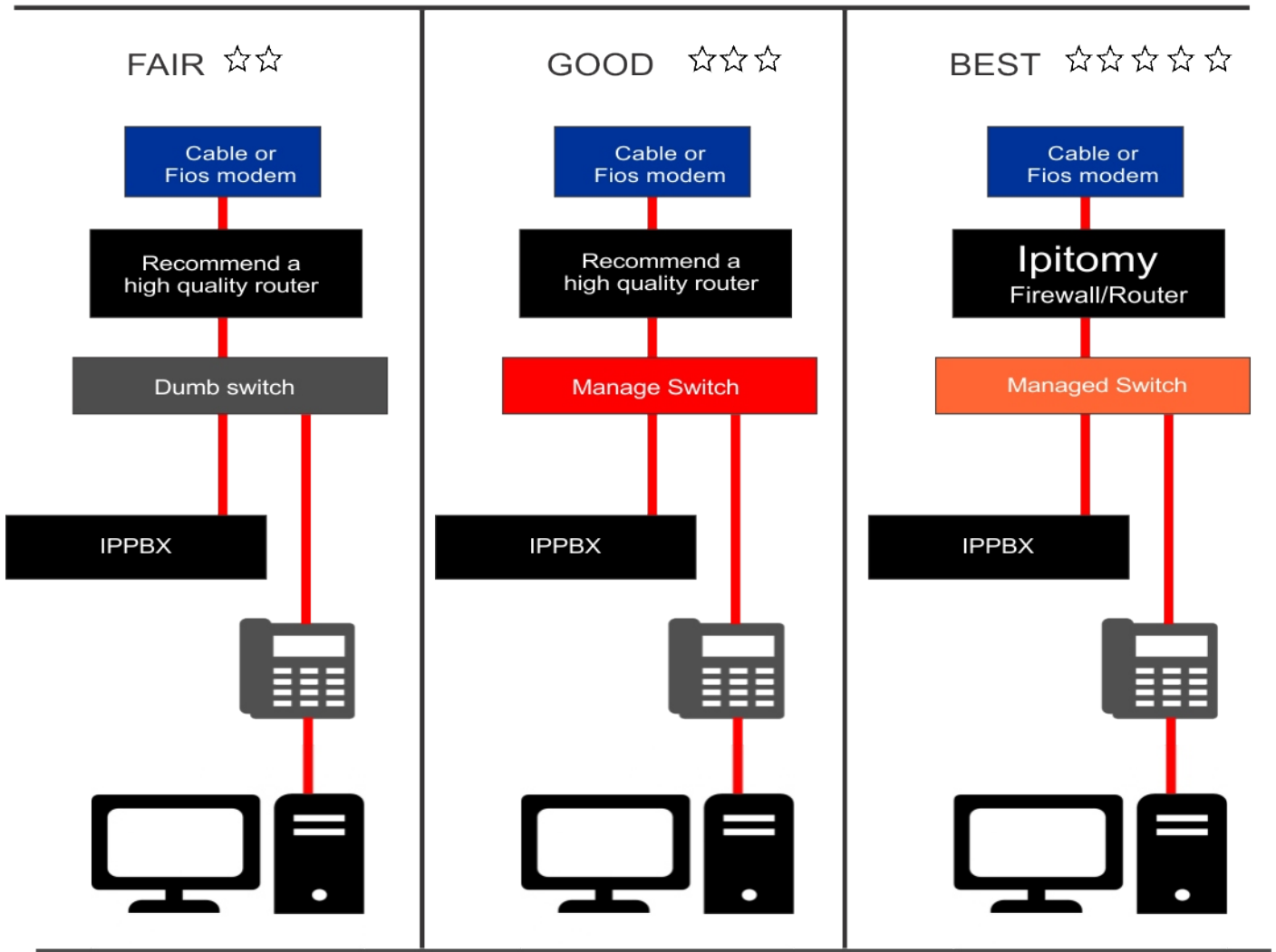


Managing Your VoIP traffic is extremely important.

That's why we recommend good quality firewall/router's and smart manageable data switches. You can guarantee anything less will be poor call quality.



(((Recommend one switch feeding the devices and not feeding other switches unless approved)))

All cabling must be category 5 or higher

All Cable and Fios modem need to be set in bridge mode if they're acting as a router when used with a additional router.

(((We do not recommend using their modems as a firewall/router)))

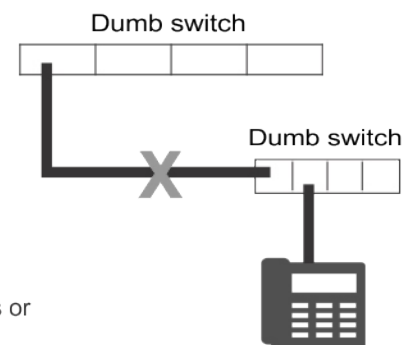
FAIR - Dumb switch. Rarely recommended because there is no control of quality of services or managing data and VoIP traffic. May be acceptable for only a few phones.

GOOD - Managed switch. Highly recommended to ensure better management of VoIP traffic.

BEST - In addition to a managed switch, Ipitomy managed routers provide secure firewall, content filtering and improved VoIP performance. The router is monitored remotely 24/7 by Ipitomy for a monthly fee.

All phones require power from their own power supply or a POE switch.

By signing this form, you acknowledge that VoIP traffic takes priority on your data network and may require upgrading or replacing your router and data switch at an additional expense to limited poor performance.



TELX

Customer signature